



RCA-5T4

FULL-WAVE HIGH-VACUUM RECTIFIER
(TENTATIVE DATA)

Filament Voltage (A.C.)	5.0	Volts
Filament Current	2.0	Amperes
Maximum Overall Length	4-1/4"	
Maximum Diameter	1-23/32"	
Base	Large Wafer Octal 5-Pin	

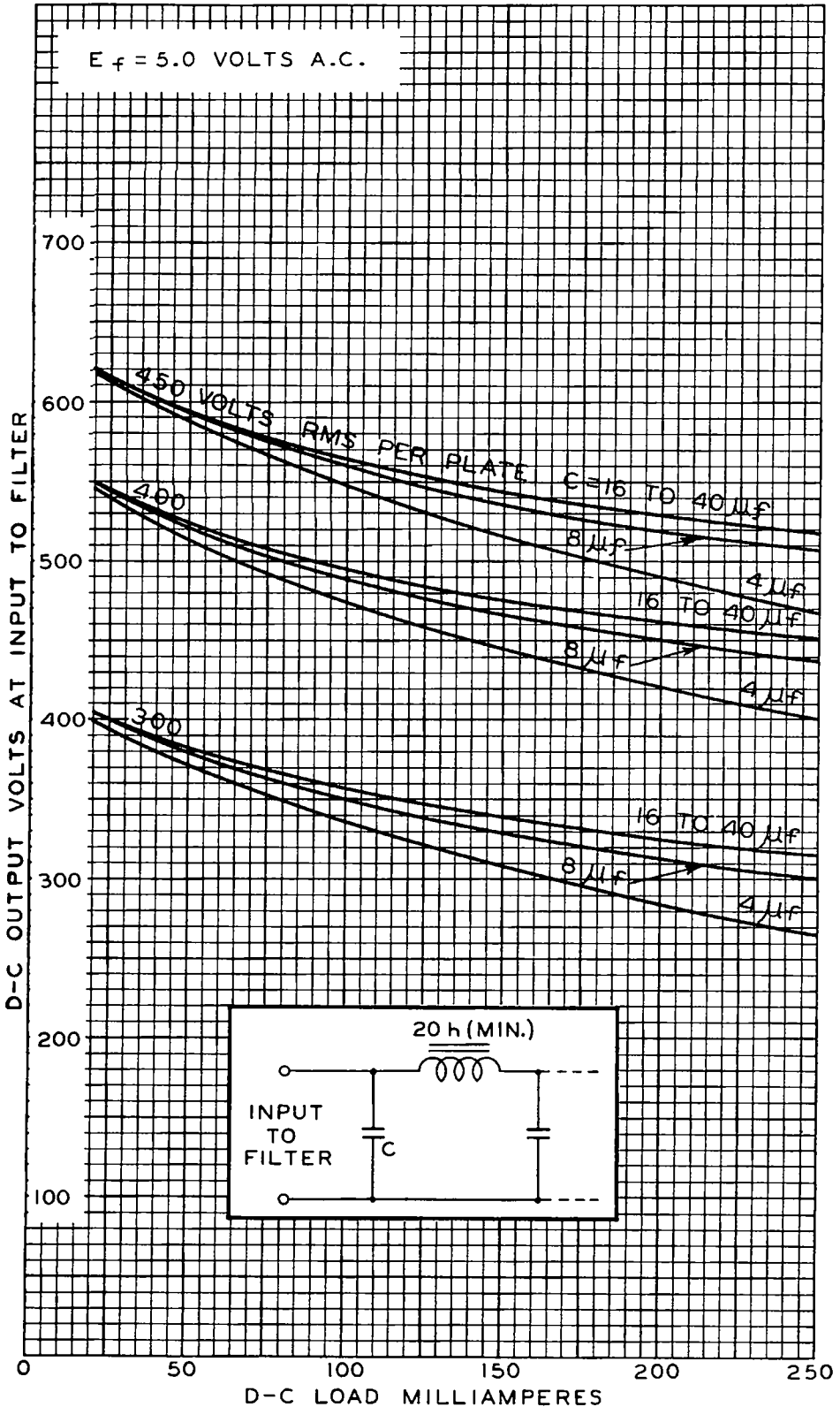
As Full-Wave Rectifier

Condenser-Input to Filter

A-C Plate Voltage Per Plate (RMS)	450 max. Volts
Peak Inverse Voltage	1250 max. Volts
D-C Output Current	250 max. Milliamperes

from RMA release #106, Feb. 4, 1937

OPERATION CHARACTERISTICS



RADIO MANUFACTURERS ASSOCIATION

SUITE 701-4 AMERICAN BUILDING
1317 F STREET, N. W.
WASHINGTON, D. C.



R.M.A. DATA BUREAU
90 West Street
New York, N. Y.

Release No. 106A

April 22, 1943

(5T4)

To
Tube Engineers:

On February 4th, 1937, in RMA Tube Standardization Release No. 106, was announced registration for the Radiotron Division of the RCA Manufacturing Co., Inc. of tube type designation

5T4

in accordance with the accompanying defining data.

By the distribution of the Electron Tube Characteristic sheet with respect to the 5T4 on about August 5, 1941, was announced the modification of the registration to provide a tube flange diameter of 1-5/8".

The RCA Victor Division of the Radio Corporation of America now proposes to re-register the diameter of the flange of the base as

1-9/16" \pm 1/16"

Accordingly, your attention is called to this proposal. Unless valid objection thereto is lodged with the RMA Data Bureau prior to May 6, 1943, the re-registration will be so made and no further announcement thereof will be distributed.

Respectfully yours,

RMA DATA BUREAU

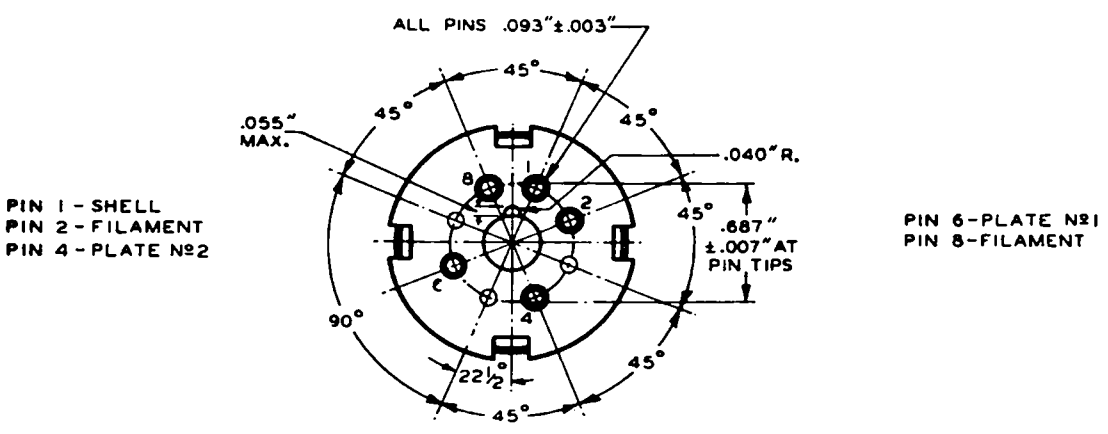
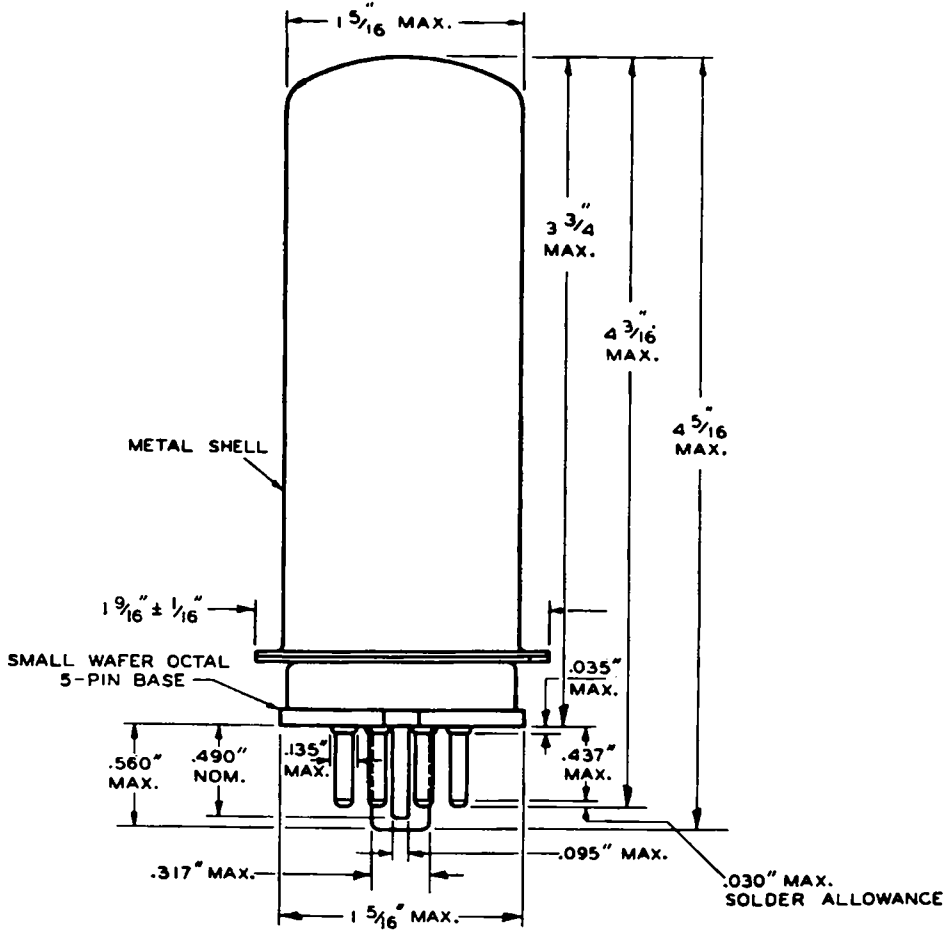
By

LCFHorle/CP



5T4

OUTLINE DRAWING



BOTTOM VIEW OF BASE